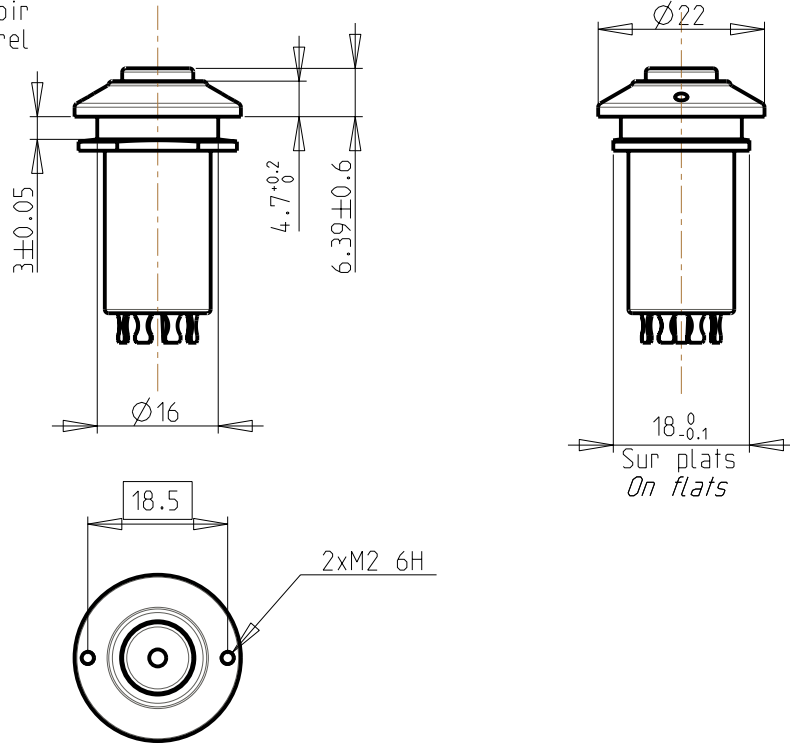


Canon aluminium anodisé noir
Black anodized barrel

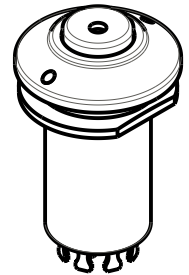


Poussoir : Rouge
 Button : Red
 Endurance mécanique : 100000 Cycles
 Mechanical strenght
 Etanchéité face avant suivant : MIL STD 810 D-506.2 METHODE 2
 Waterproof front face according to

CARACTERISTIQUES ELECTRIQUES
 ELECTRICAL CHARACTERISTICS

TENSION	28 Vdc	VOLTAGE
COURANT	0.1 mA à 500 mA	CURRENT
ENDURANCE ELECTRIQUE	100 000 cycles	ELECTRICAL LIFE

Autres caractéristiques identiques à : FT83453001FR
 Other characteristics identical to :



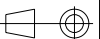
B

Mise à jour des vues suite à changement de poussoir.

Modified by	T_VINARD	29/11/2010
Verified by	B_TAILLET	29/11/2010
Authorized by	NON APPLIC.	

Toler. gene. lin ±	0.1	mm
Toler. gene. Ang ±	3	degrees

This document is the property of Crouzet-Automatismes.
 It's contents cannot be reproduced or divulged without the company's written approval.
 The product data and specifications found on this document do not constitute any contractual obligation.
 Crouzet-Automatismes and its subsidiaries reserve the right to modify the specifications.
 All rights of reproduction, modification, reprinting, and translation reserved for all countries



Scale
 1/1



General Raw surface Ra ✓

2, rue du Dr ABEL
 BP 59, 26902,
 Valence CEDEX 9
 France

Customer: Customer Ref.:

Designation/FR: **BOUTON POUSSOIR BIPOLAIRE ETANCHE ROUGE BAS NIVEAU**
 Designation/GB: **RED WATERPROOF PUSH-BUTTON TACTILE EFFECT TWO POLE LOW CURRENT**

PFT001:x<C>;y<M>

Dispatching **01**

Department: Design by T_VINARD 01/06/2010

DATA SHEET

Index Format Folio

CT Verif. by P_GIROUD 01/06/2010

FT83453035FR

B A4 1/1

NATO code: FA0X2 Authorized by NON APPLIC.