

Series - 8551, 8552, 8553

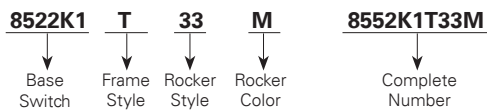
ECONOSWITCH SEALED ROCKER SWITCHES Econoswitch Sealed Rocker Switches With Removable Rocker Button (RB Series)

| FEATURES | SPECIFICATIONS | CURRENT RATINGS |
|--|---|-----------------|
| <ul style="list-style-type: none"> Environmentally sealed 1, 2 and 4 pole circuitry 2 & 3 position with maintained and momentary action Rocker button is removable for decal or icon interchangeability Multi-circuits Three types of termination offered as standard Rocker button variations <ul style="list-style-type: none"> Smooth and serrated in opaque colors Transparent Translucent Panel mounting variations <ul style="list-style-type: none"> Flush panel Sub panel | <ul style="list-style-type: none"> Watertight per MIL-STD-108E and designed to meet IP68 UL recognized and CSA certified Base compression seal Temperature Range: -50°F to +150°F (-46°C to +66 °) Life: 50,000 operations at rated load 100,00 operations mechanical life Three standard types of terminals <ul style="list-style-type: none"> Screw 6-32" UNC-2A Solder lug .125 [3,17] dia. hole Spade .250 [6,35]x.032 [0,81] thick | |

WHEN ORDERING SPECIFY

* Catalog number of base switch followed by suffix letters and numbers for mounting bracket, rocker color and style as listed in selection table.

Order Example:



Sub-Panel Style



Flush Panel Style

SELECTION TABLE

| CIRCUIT WITH LEVER IN . . . | | | BASE CATALOG NUMBER ^② | | | SUFFIX NUMBERS & LETTERS - ADD TO BASE CATALOG NUMBER | | | | | |
|-----------------------------|-----------------|-------------------------------------|----------------------------------|------------------|-----------------|---|-------------|---------------------------|----------|--------------|-------------|
| Up Position | Center Position | Down Position (ID lug) ^① | Screw Terminals | Solder Terminals | Spade Terminals | MOUNTING BRACKET | | ROCKER STYLE ^③ | | ROCKER COLOR | |
| | | | | | | Frame Style | Code Letter | Style | Code No. | Color | Code Letter |
| One Pole | | | | | | | | | | | |
| ON | OFF | ON | 8551K1 | 8551K91 | 8551K31 | | | | | | |
| ON | NONE | OFF | K9 | K99 | K39 | | | | | | |
| ON | NONE | ON | K4 | K94 | K34 | | | | | White | M |
| ON | OFF | NONE | K6 | K96 | K36 | | | | | | |
| ON | NONE | ON* | K5 | K95 | K35 | | | | | | |
| * ON | OFF | ON* | K2 | K92 | K32 | | | | | | |
| NONE | OFF | ON* | K7 | K97 | K37 | | | | | | |
| ON | NONE | OFF* | K10 | K910 | K310 | Flush Panel | T | Serrated | 32 | Red | T |
| OFF | NONE | ON* | K11 | K911 | K311 | | | | | | |
| ON | OFF | ON* | K3 | K93 | K33 | | | | | | |
| * ON | ON | NONE | K12 | K912 | K312 | | | | | | |
| ON | ON | NONE | K13 | K913 | K313 | | | | | Black | V |
| Two Pole | | | | | | | | | | | |
| ON | OFF | ON | 8552K1 | 8552K91 | 8552K31 | | | | | | |
| ON | NONE | OFF | K9 | K99 | K39 | | | | | | |
| ON | NONE | ON | K4 | K94 | K34 | | | | | | |
| ON | OFF | NONE | K6 | K96 | K36 | | | | | | |
| ON | NONE | ON* | K5 | K95 | K35 | Sub-Panel | W | Smooth | 33 | Translucent | L |
| * ON | OFF | ON* | K2 | K92 | K32 | | | | | | |
| NONE | OFF | ON* | K7 | K97 | K37 | | | | | | |
| ON | NONE | OFF* | K10 | K910 | K310 | | | | | | |
| OFF | NONE | ON* | K11 | K911 | K311 | | | | | | |
| ON | OFF | ON* | K3 | K93 | K33 | | | | | Transparent | P |
| * ON | ON | NONE | K12 | K912 | K312 | | | | | | |
| ON | ON | NONE | K13 | K913 | K313 | | | | | | |
| ON | ON | ON | K14 | K914 | K314 | | | | | | |
| ON | ON | ON* | K15 | K915 | K315 | | | | | | |
| * ON | ON | ON* | K16 | K916 | K316 | | | | | | |

* Momentary Contact.

① Identification lug side.

② Incomplete catalog number: add suffix letters and numbers for Mounting Brackets, Rocker Style & Color

③ Other Rocker Styles available



SAFRAN ELECTRICAL & POWER

C9

ECONOSWITCH SEALED ROCKER SWITCHES

Series - 8551, 8552, 8553

Econoswitch Sealed Rocker Switches With Removable Rocker Button (RB Series)

SELECTION TABLE, CON'T.

| CIRCUIT WITH LEVER IN . . . | | | BASE CATALOG NUMBER ^② | | | SUFFIX NUMBERS & LETTERS - ADD TO BASE CATALOG NUMBER | | | | | |
|-----------------------------|-----------------|-------------------------------------|----------------------------------|------------------|-----------------|---|-------------|---------------------------|----------|--------------|-------------|
| Up Position | Center Position | Down Position (ID lug) ^① | Screw Terminals | Solder Terminals | Spade Terminals | MOUNTING BRACKET | | ROCKER STYLE ^③ | | ROCKER COLOR | |
| | | | | | | Frame Style | Code Letter | Style | Code No. | Color | Code Letter |
| Four Pole | | | | | | | | | | | |
| ON | OFF | ON | 8553K1 | 8553K91 | 8553K31 | Flush Panel | T | Serrated | 32 | White | M |
| ON | NONE | OFF | K9 | K99 | K39 | | | | | | |
| ON | NONE | ON | K4 | K94 | K34 | | | | | | |
| ON | OFF | NONE | K6 | K96 | K36 | | | | | | |
| ON | NONE | ON* | K5 | K95 | K35 | | | | | | |
| * ON | OFF | ON* | K2 | K92 | K32 | | | | | | |
| NONE | OFF | ON* | K7 | K97 | K37 | | | | | Black | V |
| ON | NONE | OFF* | K10 | K910 | K310 | | | | | | |
| OFF | NONE | ON* | K11 | K911 | K311 | Sub-Panel | W | Smooth | 33 | Translucent | L |
| ON | OFF | ON* | K3 | K93 | K33 | | | | | | |
| * ON | ON | NONE | K12 | K912 | K312 | | | | | | |
| ON | ON | NONE | K13 | K913 | K313 | | | | | | |
| ON | ON | ON | K15 | K915 | K315 | | | | | | |
| ON | ON | ON* | K16 | K916 | K316 | | | | | | |
| * ON | ON | ON* | K17 | K917 | K317 | | | | | Transparent | P |

*** Momentary circuit.**

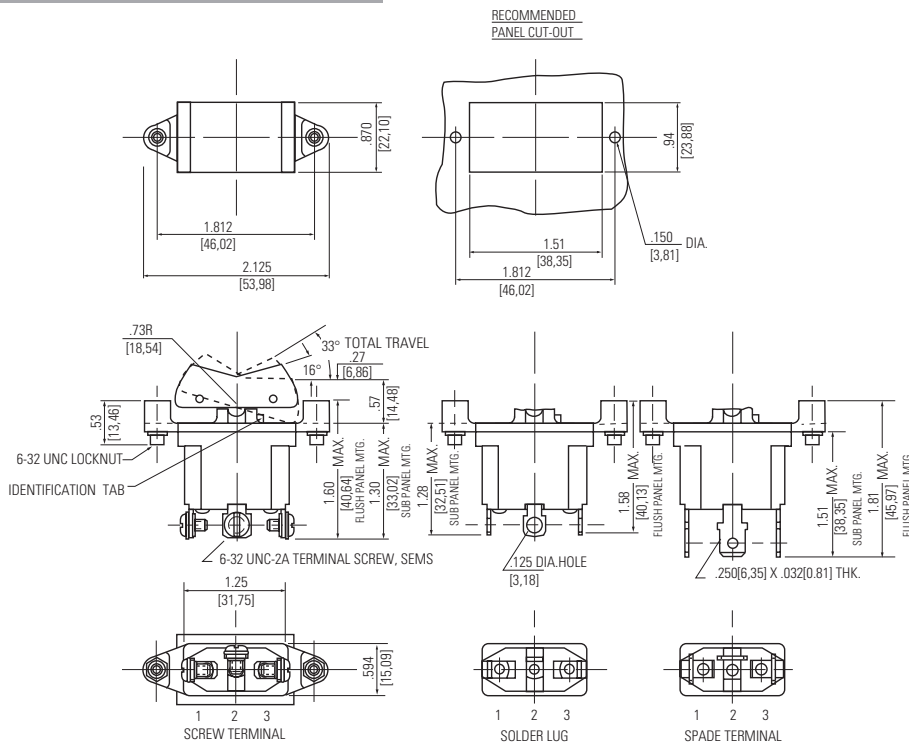
See pages C26-C27 and C29-C31 for circuit diagrams.

① Identification lug side.

② Incomplete catalog number; add suffix letters and numbers for Mounting Brackets, Rocker Style & Color

③ Other Rocker Styles available

MOUNTING DIMENSIONS - ONE POLE / 8551



STANDARD
0.00 = inches
[0,0] = mm

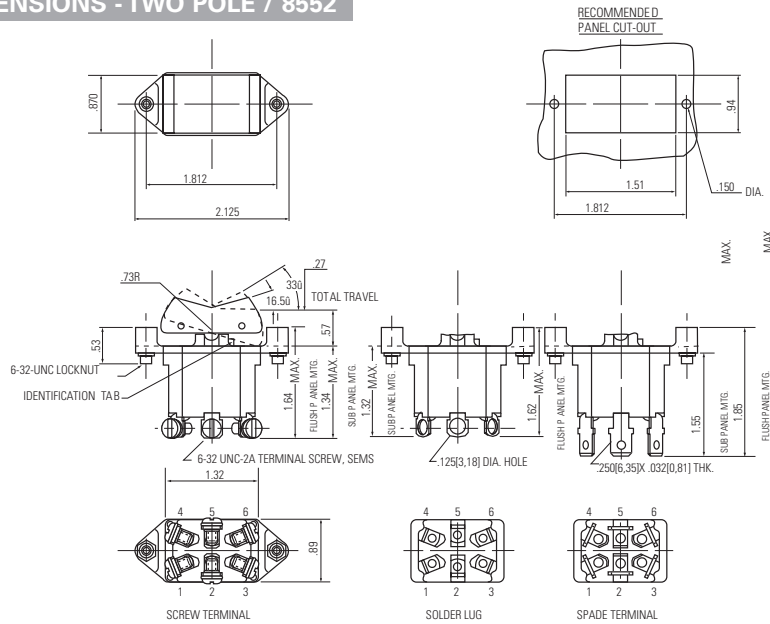
Dimensions for reference only.

ECONOSWITCH SEALED ROCKER SWITCHES

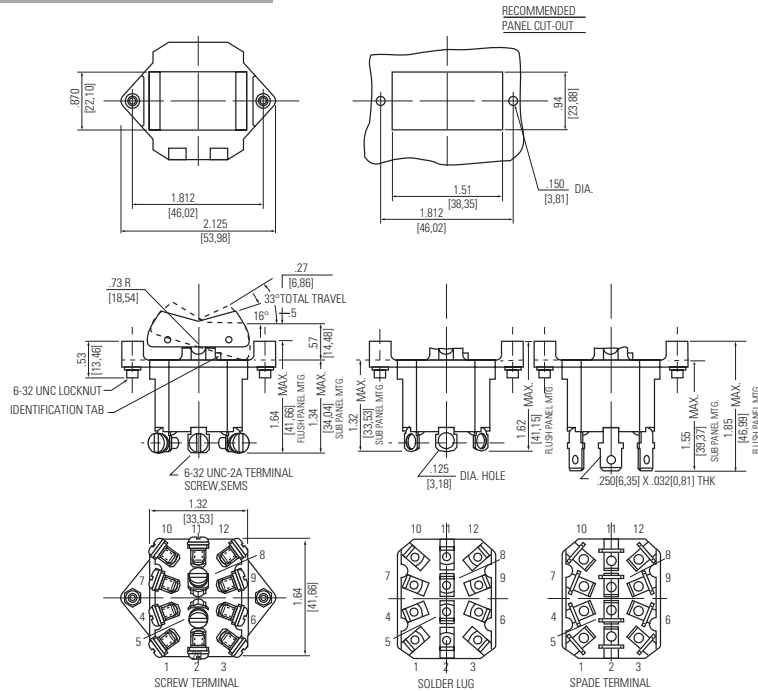
Econoswitch Sealed Rocker Switches With Removable Rocker Button (RB Series)

Series - 8551, 8552, 8553

MOUNTING DIMENSIONS - TWO POLE / 8552



MOUNTING DIMENSIONS - FOUR POLE / 8553



STANDARD
0.00 = inches
[0,0] = mm

Dimensions for reference only.

ECONOSWITCH SEALED ROCKER SWITCHES

Series - 8551, 8552, 8553

Econoswitch Sealed Rocker Switches With Removable Rocker Button (RB Series)

OPTIONS/ACCESSORIES

- Special color rockers
- Hot stamped lettering on rockers - smooth rockers only
- Special marking on switches
- Optional Actuator
- Gold plated contacts

REPLACEMENT SMOOTH BUTTON SELECTION TABLE

| Color | Part Number |
|--------------|--------------------|
| White | 53-2161-2 |
| Red | 53-2161-3 |
| Black | 53-2161-4 |
| Translucent | 53-2415 |
| Transparent | 53-2161-6 |