

**CHARACTERISTICS:**

CONTACT ARRANGEMENT ----- 4 P.D.T.  
 ACTUATION FORCE ----- 10 LBS. MAX.  
 RELEASE FORCE ----- 1 LB. MIN.  
 PRETRAVEL ----- .020-.030  
 MOVEMENT DIFFERENTIAL ----- .020 MAX.  
 OVERTRAVEL ----- .200 MIN.  
 LIFE AT RATED LOAD ----- 25,000 CYCLES  
 AMBIENT TEMPERATURE RANGE ----- -85°F TO +275°F  
 DIELECTRIC STRENGTH ACROSS:  
 OPEN TERMINALS ----- 800 VRMS  
 TERMINALS TO CASE ----- 1000 VRMS  
 VOLTAGE DROP AT 1 AMP ----- .040 PLUS .011  
 SEAL ----- CLASS 5 (HERMETIC)  
 MAX. ALLOWED LEAKAGE ----- 1X10<sup>-8</sup> STD CC HE/SEC.  
 BACKFILL ----- DRY NITROGEN  
 MAX. FORCE ALLOWED ON TOP  
 OF ACTUATOR ----- 30 LBS.

**CURRENT CAPACITY**

SEA LEVEL AND 70,000 FT. ALTITUDE		
LOAD	28 VOLTS D.C.	
RESISTANCE	4 AMPS	
INDUCTIVE LAMP	1 AMP	
	2 AMPS	

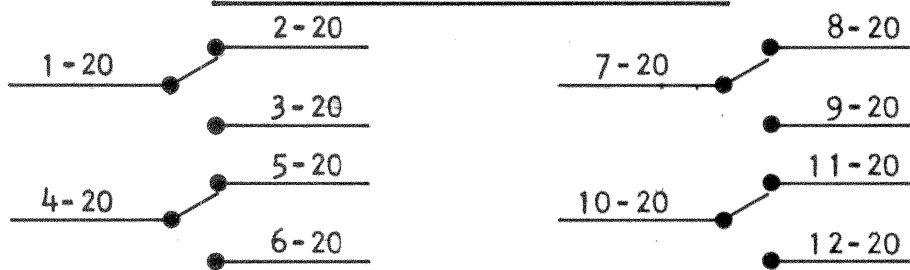
**SHOCK RESISTANCE**

WITHOUT CONTACT CHATTER ----- 200 G'S  
 VIBRATION RESISTANCE (10-3000 HZ)  
 WITHOUT CONTACT CHATTER ----- 65 G'S  
 WEIGHT (INCLUDING HARDWARE) ----- 3.4 OZ. PLUS  
 .10 OZ. PER LEAD  
 PER FT. OF WIRE

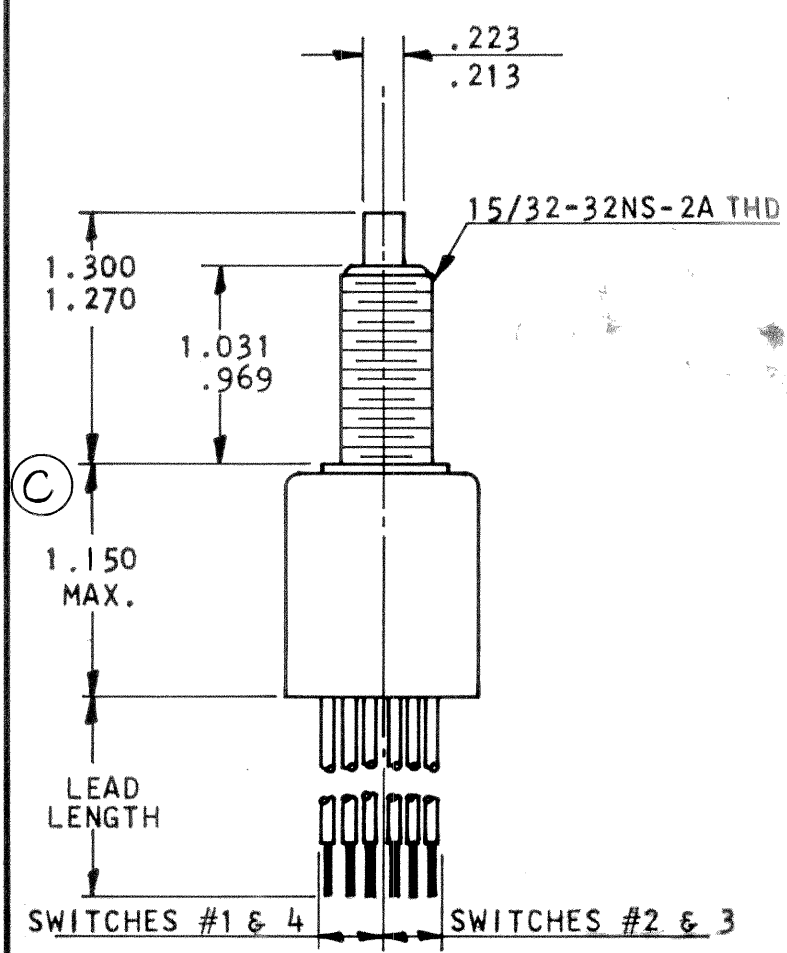
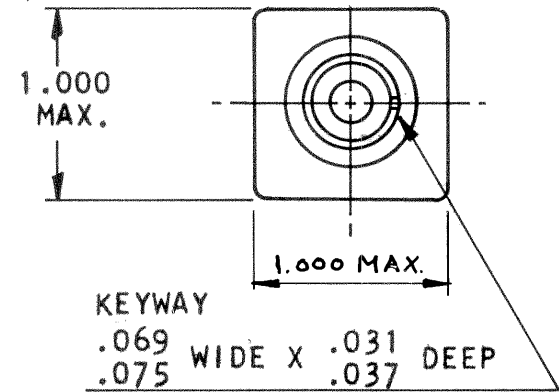
**MOUNTING HARDWARE STANDARD ON ALL SWITCHES**

ITEM	REQ'D	DESCRIPTION
HEX NUT	(2)	MS21340-04
INTERNAL LOCKWASHER	(1)	MS35333-121
KEYWASHER	(1)	MS25081-C4

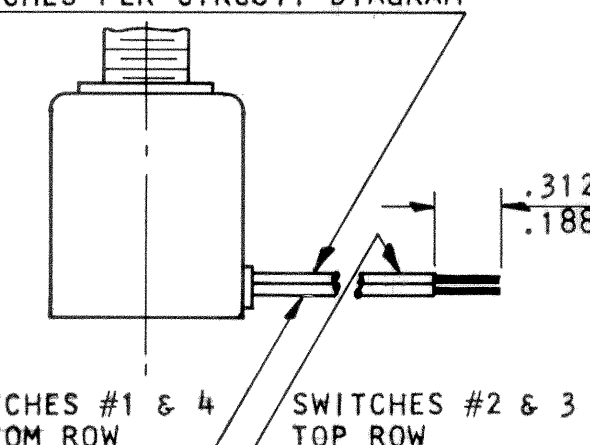
**CIRCUIT DIAGRAM**



G	MIL-W-22759/9 WAS MIL-W-10878/5 (TYPE EE) CR MO 5844	7-16-91	CF
H	RESISTANCE WAS 7AMPS, 10AT 375-8 WAS 3PDT-N.C. & -9 WAS 3PDT-N.O. CRM21838 RJM	3-16-95	JF
J	MIL P/N WAS M8805/70-029,031 CRM25154 RJM	1-17-96	JF



AWG #20 WIRE LEADS PER MIL-W-22759/9 CODED EVERY 6 INCHES PER CIRCUIT DIAGRAM



10AT375 -102-\*  
 10AT375 -103-\*

MILITARY EQUIVALENT PART NUMBERS UNDER MIL-S-8805

T.I. PART NO. MILITARY PART NO.  
 10AT375-102-10 M8805/70-037  
 10AT375-103-10 M8805/70-039

**REVISIONS**

ZONE	LTR	DESCRIPTION	DATE	APPROVED
		1ST ISSUE FOR 10AT375 C.R. 51836 AL	8-30-73	D.F.
-	A	ADDED MIL. PART NOS. CR 52027 LS	1-17-74	JF
-	B	SEE CN CR 55474 RN	7-12-74	JF
-	C	DIM WAS 1.050 MAX CR 54791 D	7/15/74	D.F.
-	D	PRETRAVEL WAS .030 MAX CR 70847 DR	9-1-76	DR
-	E	SEE CN CR 99797 N.A.	3-5-85	ADS
-	F	SEE CN CR 90816	1-15-86	PJM

10AT	375	-10	2	-1
BASIC SWITCH	CONFIGURATION	7=3PDT 8=3PST-N.C. 9=3PST-N.O. 10=4PDT 11=4PST-N.C. 12=4PST-N.O.	2=LEADS PARALLEL TO AXIS OF SWITCH 3=LEADS AT RIGHT ANGLE TO AXIS OF SWITCH	1= 6" MIN. 2=12" 3=18" 4=24" 5=30" 6=36" 7=42" 8=48" 9=60" 10=72"

UNLESS OTHERWISE SPECIFIED DIMENSIONS ARE IN INCHES		BY D.M. INERNEY	DATE 8-30-73	Q3-1 P18-1	P3-2
TOLERANCE ON FRACTIONS DECIMALS ANGLES		ENR D. Latem	9-4-73	TITLE 10AT375 PLUNGER SWITCH ENVELOPE DRAWING	
MILITARY EQUIVALENT PART NUMBERS UNDER MIL-S-8805		APPROVED D. Latem 9-4-73	SIZE B	CODE IDENT NO. 82647	10AT375
T.I. PART NO. MILITARY PART NO.		SCALE	SHEET		