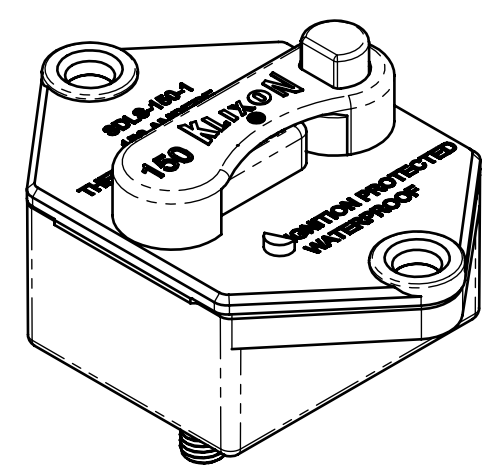
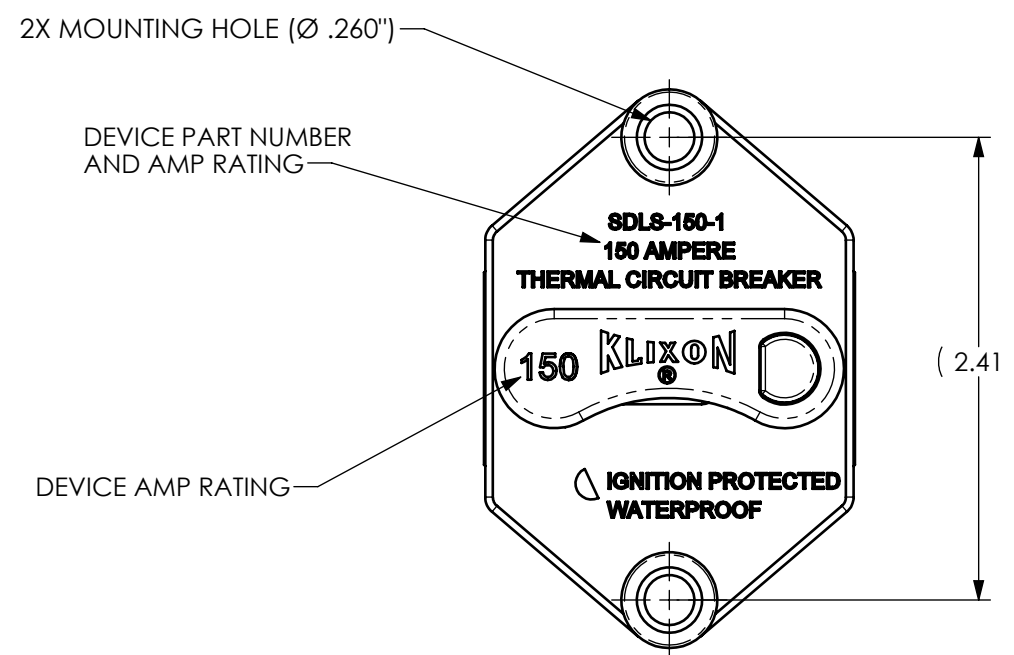
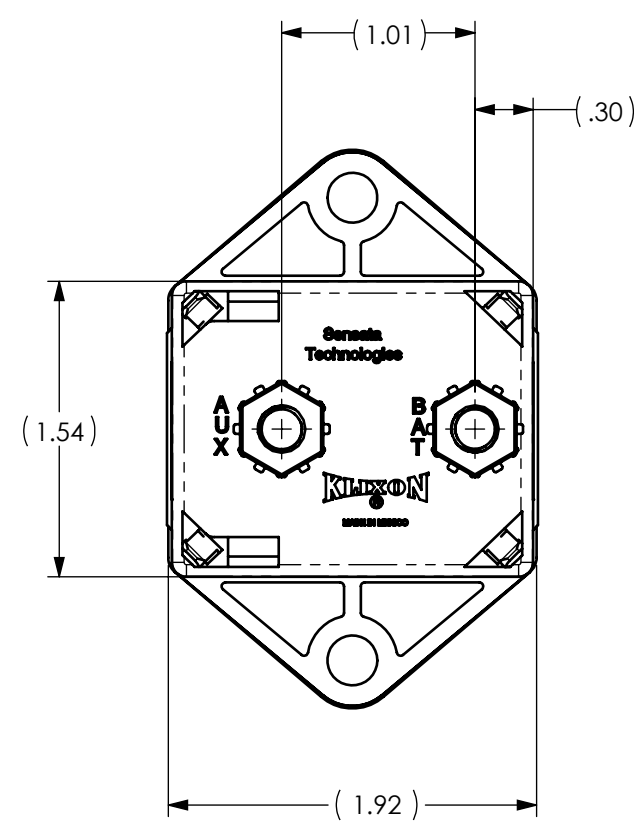
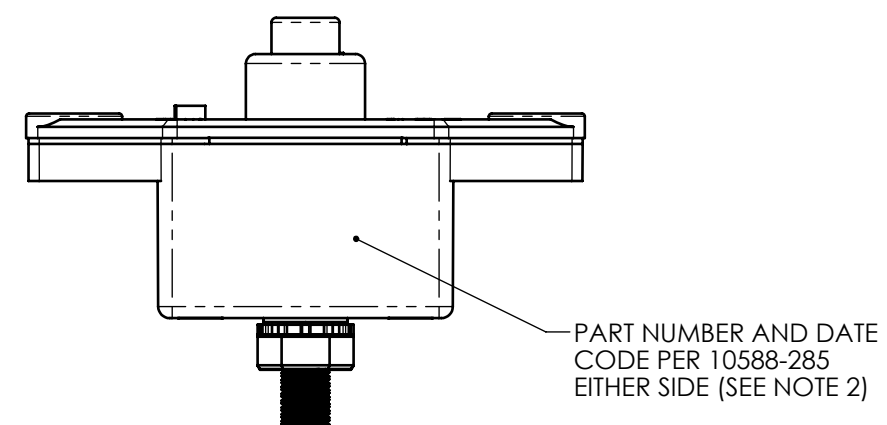
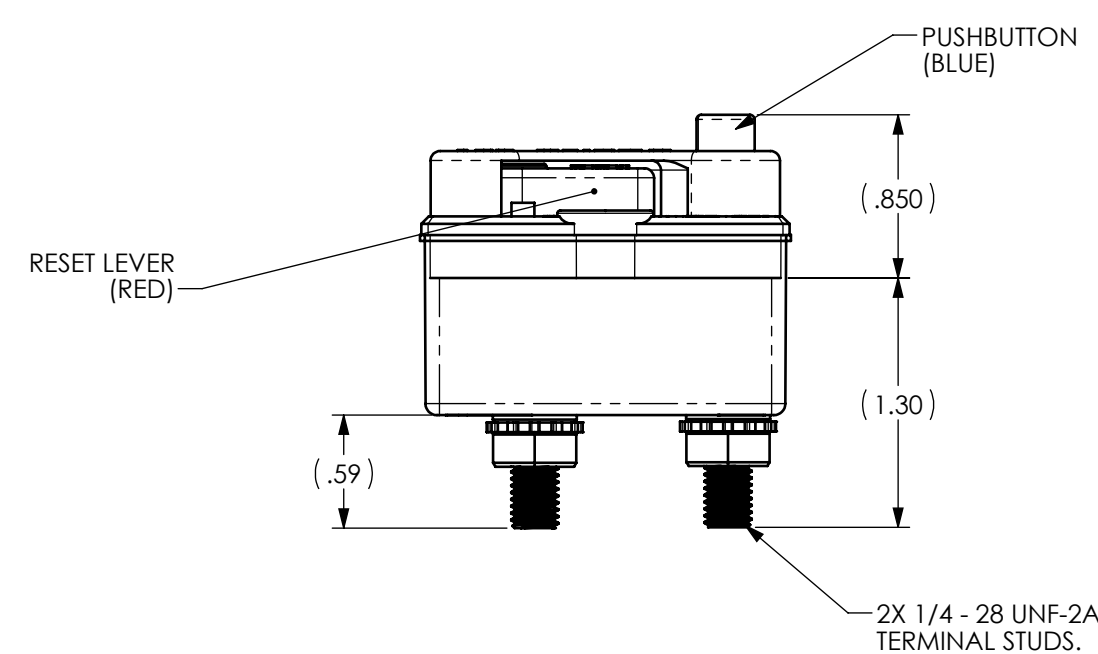


ZONE	REV.	REVISION DESCRIPTION	ECN NO.	DATE
D4	E	CALLOUT "2X MOUNTING HOLE (Ø .260")" WAS "2X MOUNTING HOLE FOR 1/4" SCREW"; PART NO. ON PART WAS "SDLS-150"; ADDED PRE-ASSEMBLED NUT; GML	ECO-103245	31-JUL-2014



PERFORMANCE CHARACTERISTICS

VOLTAGE RATING	30VDC
200% OVERLOAD	8-100 SECONDS
25-150 AMPS	
ULTIMATE TRIP % AT 77°F RATED CURRENT	
MINIMUM	100%
MAXIMUM	135%
INTERRUPT CAPACITY	SAE J1625 AND ABYC-E11
ENDURANCE	100 CYCLES AT 600% RATED CURRENT PER SAE J1625
DIELECTRIC STRENGTH	1500 VAC MINIMUM MIL-STD-202 METHOD 301
INSULATION RESISTANCE	100 MOHMS MINIMUM MIL-STD-202 METHOD 302 CONDITION B
VIBRATION RESISTANCE	4 g'S, 10-2K HZ SAE J1455
SALT SPRAY	96 HOURS PER SAE J1455
IGNITION PROTECTED	SAE J1171
WEATHERPROOF	SAE J1625
WEIGHT	153 GRAMS MAX.




**TABLE 1**

PART NO.	AMP RATING
SDLS-XX-X	XX
SDLS-25-X	25
SDLS-30-X	30
SDLS-35-X	35
SDLS-40-X	40
SDLS-45-X	45
SDLS-50-X	50
SDLS-60-X	60
SDLS-70-X	70
SDLS-80-X	80
SDLS-90-X	90
SDLS-100-X	100
SDLS-105-X	105
SDLS-110-X	110
SDLS-120-X	120
SDLS-135-X	135
SDLS-150-X	150

SEE NOTE 4

- NOTES:
- DIMENSIONS (1.54) AND (1.92) DO NOT INCLUDE GASKET.
  - THE DATE CODE CAN BE STAMPED ON EITHER SIDE OF THE CIRCUIT BREAKER.
  - CIRCUIT BREAKER CAN INCLUDE HARDWARE AS SHOWN IN DRAWING.
  - THE COMPLETE CIRCUIT BREAKER PART NUMBER REQUIRES SUBSTITUTING OF THE LETTERS (-XX-) WITH THE SPECIFIC AMP RATING SPECIFIED BY THE CUSTOMER AS PER TABLE 1.

FOR REFERENCE ONLY, CHECK LATEST REVISION BEFORE USE. PARTS MADE TO THIS PRINT MUST CONFORM TO E9898 REV. E.		 529 PLEASANT STREET P.O. BOX 2964 ATTLEBORO, MA 02703	
DRAWN PD DATE 02-NOV-2009 ENGINEER B.BLENKHORN DATE 02-NOV-2009 APPROVED B.BLENKHORN DATE 02-NOV-2009 APPROVED W.BENTLEY DATE 02-NOV-2009	SENSATA TECHNOLOGIES PROPRIETARY AND CONFIDENTIAL. NEITHER THIS PRINT NOR THE INFORMATION CONTAINED HEREON IS TO BE USED AGAINST THE INTERESTS OF SENSATA TECHNOLOGIES OR AGAINST THE INTERESTS OF ANY OF ITS AFFILIATED COMPANIES OR WHOLLY OWNED SUBSIDIARIES.	TITLE <b>SWITCHABLE SURFACE MOUNT 1 1/2 THERMAL CIRCUIT BREAKER</b>	
DO NOT SCALE DRAWING THIRD ANGLE PROJECTION	UNLESS OTHERWISE SPECIFIED DIMENSIONS ARE IN INCHES TOLERANCES DECIMALS      ANGLES	SIZE <b>C</b>	DWG NO. <b>SDLS</b> SCALE 1:1    SOLIDWORKS    SHEET 1 OF 1
DATE 02-NOV-2009		REV. <b>E</b>	PROJECT: EX95 1