



KILOVAC CAP120R HIGH VOLTAGE LATCHING CONTACTOR

HIGH VOLTAGE LATCHING CONTACTOR IN A SMALL, LIGHTWEIGHT AND AFFORDABLE PACKAGE



High voltage latching contactor in a small, lightweight and affordable package



Description

In responding to key industry needs for higher voltage isolation, small size and weight, and reduced power consumption, TE Connectivity's (TE) KILOVAC CAP120R Latching Contactor is extremely small in size and lightweight relative to its voltage and current ratings. The latching configuration also makes it ideally suited to airborne and other applications requiring low power consumption. It is designed for harsh environments and load applications. This latching version of our popular CAP120 high voltage contactor offers extremely high performance in terms of its size and weight. The contactor also allows versatile installation through bidirectional load switching, and the main contacts are not polarity sensitive.

RUGGED

- Hermetically-sealed, designed to withstand harsh environments

CAPABLE

- Does not require continuous application of coil power
- Relatively low power consumption makes it ideal for aerospace applications

MARKETS SERVED

- Military Aerospace
- Commercial Aerospace
- Defense
- Naval/Marine

MECHANICAL/ENVIRONMENTAL

- **Temperature Range:** -40°C to +85°C
- **Contact Arrangements, Main Contacts:** SPST-NO, Form P
- **Weight, Nominal:** 0.14 Kg
- **Shock 11 ms 1/2 Sine (Operating):** 15 G (Open), 30 G (Latched)
- **Sine Vibration, 20 G:** 55-2000 Hz
- **Random Vibration**

13.3 Grms (Closed):	15	100	450	900	2000	(Hz)
9.1 Grms (Open):	.002	.002	.12	.12	.083	(G ² /Hz)

ELECTRICAL

- **Voltage Rating, Main Contacts, Max:** 600 Vdc
- **Current Rating, Continuous, Main Contacts, (1):** 150 A
- **Aux Contact (A/Vdc - Max):** 100 mA/6 Vdc
- **Aux Contact (A/Vdc - Min):** 5 mA/5 Vdc
- **Contact Resistance, Main Contacts:** 0.6 mΩ Max
- **Main Contact Voltage Drop @ 150 A:** 80 mV Max
- **Aux Contact Voltage Drop @ 1 A:** 150 mV Max
- **Hot Switching Performance, Resistive Load**
 - 100 A Make/ Break @ 600 Vdc: 1,000 Cycles
 - 150 A Make/ Break @ 400 Vdc: 3,250 Cycles
 - Make/Break 1000 A @ 400 Vdc: 5 Cycles
 - 600 A Make/Break @ 600 Vdc: 5 Cycles
 - Pulse Through Closed Contacts, Maximum: 1250 A
 - 600 A Make: 25 Cycles
- **Mechanical Life (Min):** 100,000 Cycles
- **Dielectric Withstand Voltage**
 - Terminal to Terminal: 1 mA max @ 2800 V_{rms}
 - Terminals to Coil: 1 mA max @ 1500 V_{rms}
- **Insulation Resistance**
 - Terminal to Terminal: 100 MΩ min @ 500 Vdc (new)
 - Terminal to Coil: 50 MΩ min @ 500 Vdc (end of life)

APPLICATIONS

- | | | |
|-------------------------|---|---|
| • UAM/UAV power systems | Power systems needing latching coils for reduced power consumption and lighter weight | General use in DC power systems for ground, air and marine applications |
|-------------------------|---|---|

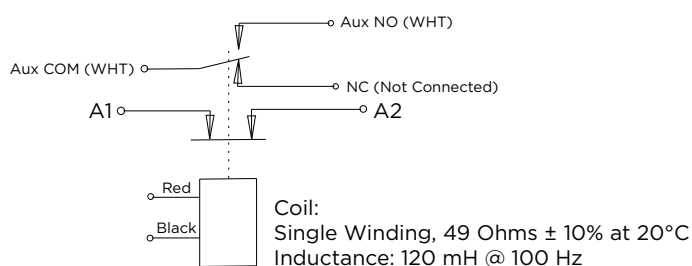
(1) +85°C ambient with #4 AWG conductor. Keep relay terminals below 150°C max continuous, 175°C max for two hours, and 200°C for one minute.

KILOVAC CAP120R High Voltage Latching Contactor

COIL DATA

	CAP120RBXNG 4-1618415-5		
Nominal Operating Voltage	Vdc	28	
Latch/Reset (Typical) @ 20° C	Vdc	Latch 10-18 Reset 10-18	
Coil Resistance @ 20°C +/-10%	Ω	49	
Coil Inductance (Typical)	mH	120	
Coil Current (Typical @ 28 Vdc, 20°C)	A	0.57	
Latch/Reset Pulse Time	ms	50-100	
Operate Specs @ 20°C	Latch Time (typ.)	ms	8
	Latch Bounce (typ.)	ms	3
	Reset time (typ.)	ms	7
	Aux Contact Simultaneity with Main	ms	± 3

CAP120RBXNG (SINGLE COIL LATCHING CONTACTOR)



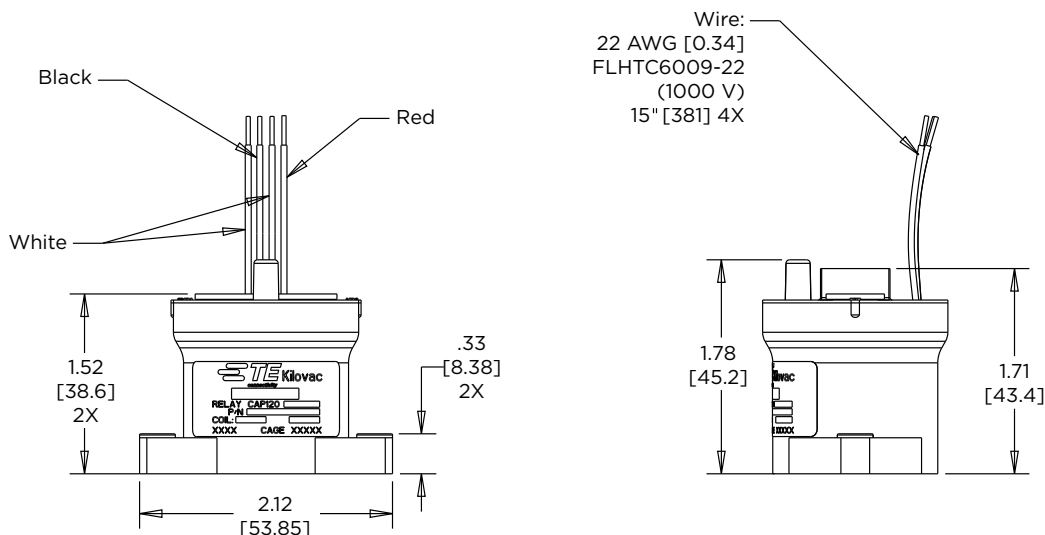
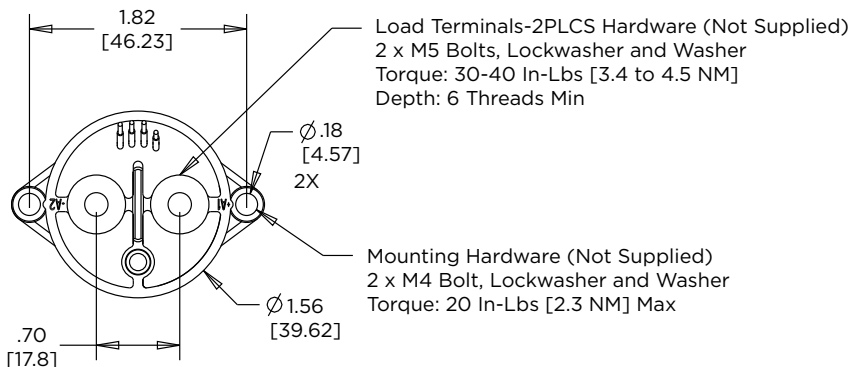
Coil Drive

1. To Close: Connect red lead to source +
2. Connect black lead to return for 50-100 ms to close (latch)
3. To Open: Connect black lead to source +
4. Connect red lead to return for 50-100 ms to open

Minimum Latch/Reset Voltage: 10 Vdc

Coil/Aux Wire

FLHTC6009-22 AWG, 19x34 stranded, silver plated copper, 1000 V DC rated



Empower Engineers to Solve Problems, Moving the World Forward.

AMP | AGASTAT | CII | DEUTSCH | DRI | HARTMAN | KILOVAC
MICRODOT | NANONICS | POLAMCO | Raychem | Rochester | SEACON

CONNECT WITH US

We make it easy to connect with our experts and are ready to provide all the support you need. Visit te.com/support to chat with a Product Information Specialist.

QUALITY STARTS WITH THE RIGHT APPLICATION TOOLING

Creating a quality crimp connection is essential to delivering high performance and reliability in extreme environments. From low to high volume wire processing, TE has you covered with a full range of application tooling and a global field service team.

- [View all application tooling](#)
- [Connect with our experts to find the right tool for your application](#)

te.com/kilovac-cap120

AMP, AGASTAT, CII, DEUTSCH, DRI, HARTMAN, KILOVAC, MICRODOT, NANONICS, POLAMCO, Raychem, Rochester, SEACON, TE, TE Connectivity, and TE connectivity (logo) are trademarks owned or licensed by TE Connectivity. All other logos, products and/or company names referred to herein might be trademarks of their respective owners.

The information given herein, including drawings, illustrations and schematics which are intended for illustration purposes only, is believed to be reliable. However, TE Connectivity makes no warranties as to its accuracy or completeness and disclaims any liability in connection with its use. TE Connectivity's obligations shall only be as set forth in TE Connectivity's Standard Terms and Conditions of Sale for this product and in no case will TE Connectivity be liable for any incidental, indirect or consequential damages arising out of the sale, resale, use or misuse of the product. Users of TE Connectivity products should make their own evaluation to determine the suitability of each such product for the specific application.

© 2022 TE Connectivity All Rights Reserved.

2421115-1 07/22 Original

KILOVAC CAP120R HIGH VOLTAGE LATCHING CONTACTOR

TE Connectivity
Aerospace, Defense & Marine
2900 Fulling Mill Road
Middletown, PA 17057