

KILOVAC MAP200 Series Contactor with 1 Form A (SPST-NO) Contacts Rated up to 500 Amps, 12-900 Vdc

Product Facts

- Designed to be the smallest, lightest weight, lowest cost sealed contactor in the industry with its current rating for military aerospace, ground vehicle and naval, high current applications
- Built-in coil economizer (models requiring external economizer also available)
- Optional auxiliary contact for easy monitoring of power contact position
- Hermetically sealed — intrinsically safe, operates in explosive/harsh environments with no oxidation or contamination of coil or contacts, including long periods of non-operation
- Versatile coil and power connections
- RoHS versions available



Performance Data

Contact Arrangement, Power Contacts — 1 Form A (SPST-NO)

Rated Operating Voltage — 12 - 900 VDC

Continuous (Carry) Current, Typical — 500 A @ 85°C, 400 mcm conductors

Consult Factory for required conductors for higher currents

Make/Break Current at Various Voltages ¹ — See graph next page

Break Current at 320VDC ¹ — 2,000 A, 1 cycle

Contact Resistance, Typ. (@200A) — 0.2 mohms

Load Life — See graph next page

Mechanical Life — 1 million cycles

Contact Arrangement, Auxiliary Contacts — 1 Form A (SPST-NO)

Aux. Contact Current, Max. — 2A @ 30VDC / 3A @ 125VAC

Aux. Contact Current, Min. — 100mA @ 8V

Aux. Contact Resistance, Max. — 0.417 ohms @ 30VDC / .150 ohms @ 125VAC

Dielectric Withstanding Voltage — 2,200 Vrms @ sea level

Insulation Resistance @ 500VDC — 100 megohms ²

Shock, 11ms 1/2 Sine, Peak, Operating — 20 G

Vibration, Sine, 50-2000Hz., Peak — 20 G

Operating Temperature — -55°C to +85°C

Weight, Nominal — .95 lb. (.43 kg)

Notes:

- ¹ Main power contacts
- ² 50 at end of life

Coil Operating Voltage (Valid Over Temperature Range)	
Voltage (Will Operate)	18-32VDC
Voltage (Max.)	32VDC
Pickup (Close) Voltage Max.	18VDC
Hold Voltage (Min.)	10VDC
Dropout (Open) Voltage (Min.)	2VDC
Inrush Current (Max.)	4.5A
Holding Current (Avg.)	0.5A
Inrush Time (Max.)	100ms

Ordering Information

Typical Part Number ►

MAP200 A R D E A

Series: _____
MAP200 = 500 Amp, 12-900VDC Contactor

Contact Form: _____
A = Normally Open
H = Normally Open with Aux. Contacts

Coil Voltage: _____
R = 28 Vdc, Mechanical Economizer
S = 28 Vdc, Electrical Cut-throat Economizer

Coil Wire Length: _____
A = 15.3 in (390 mm)
D = Coil connector on relay (requires option "E" or "X" in next step).

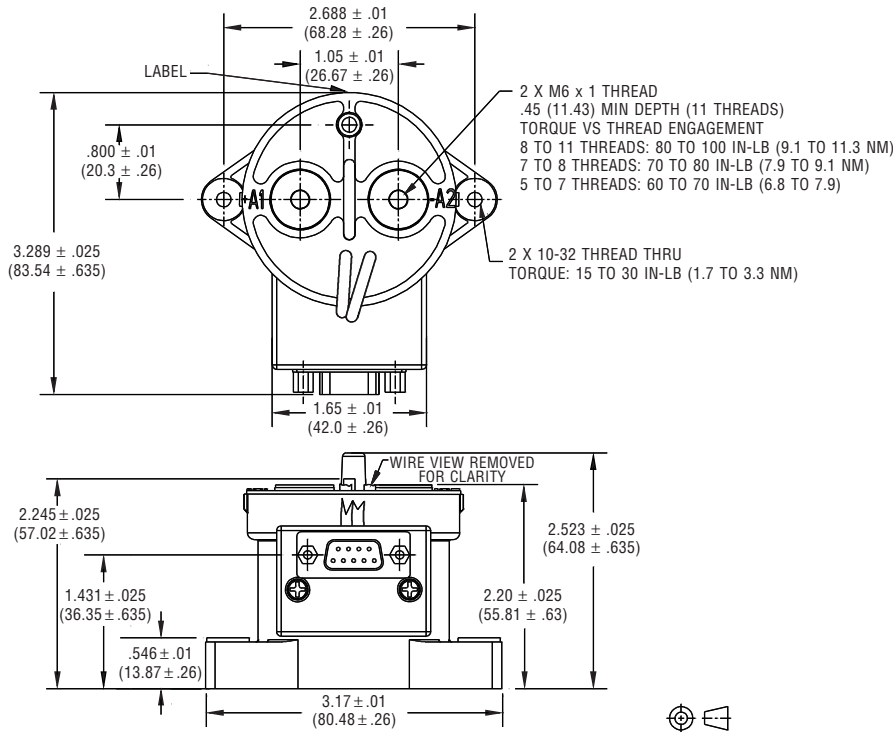
Coil Terminal Connector: _____
N = No connector
E = 9-pin subminiature "D" plug mounted on contactor housing
X = Special configuration (consult factory)

Mounting & Power Terminals: _____
A = Bottom Mount & Male M8 x 1.25 Thread Terminals
B = Bottom Mount & Female 1/4-20 Thread Terminals
D = Bottom Mount & Female M6 x 1 Thread Terminals

For factory-direct application assistance, dial 800-253-4560, ext. 2055, or 805-220-2055.

KILOVAC MAP200 Series (Continued)

Outline Dimensions



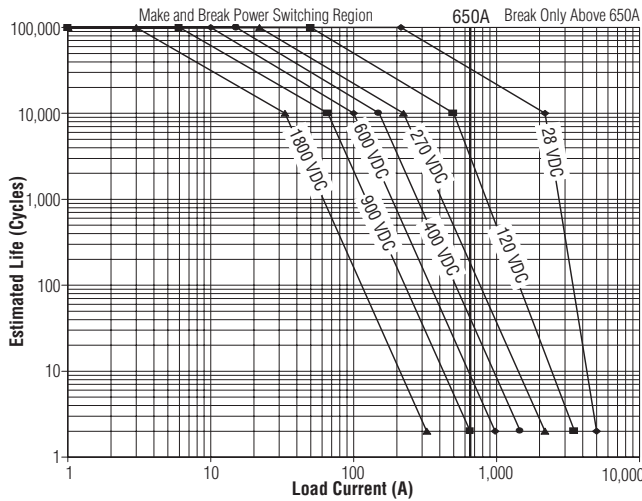
MAP200HR D-Sub Pin Out

- Coil+ = Pin 2
- Coil - = Pin 6
- Aux. COM = Pin 8
- Aux. NO = Pin 4

MAP200AR

- Coil+ = Pin 2
- Coil - = Pin 6

Estimated Make & Break Power Switching Ratings



- NOTES:**
- 1) For resistive loads with 300µH maximum inductance. Consult factory for inductive loads.
 - 2) Estimates based on extrapolated data. User is encouraged to confirm performance in application.
 - 3) End of life when dielectric strength between terminals falls below 50 megohms @ 500VDC.
 - 4) The maximum make current is 650A to avoid contact welding.

For factory-direct application assistance, dial 800-253-4560, ext. 2055, or 805-220-2055.